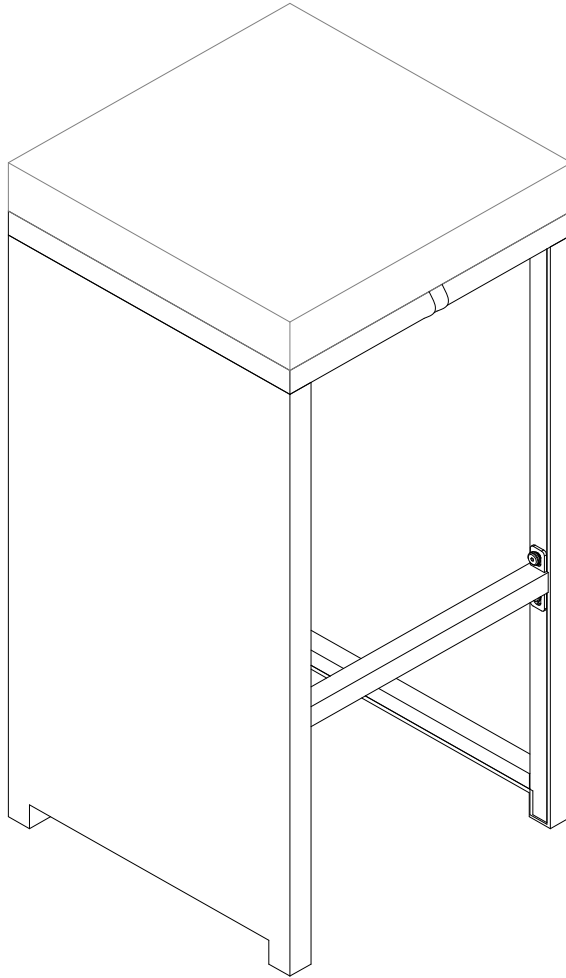


ASSEMBLY INSTRUCTIONS

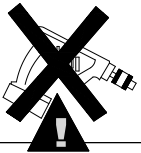
PUB STOOL



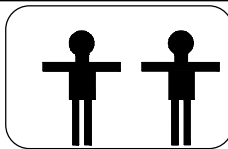
REPLACEMENT PARTS

Please do not contact the company purchased from as we can help you faster.

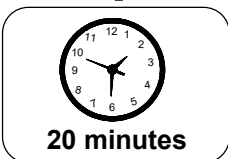
Order replacement parts and hardware at "boltonfurniture.com"



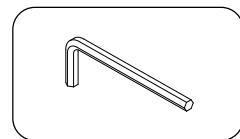
. Use of power tool to assemble this product will invalidate any claim and damage this product making it unsafe!!!
. Please assemble on a clean soft surface to avoid damage.



+

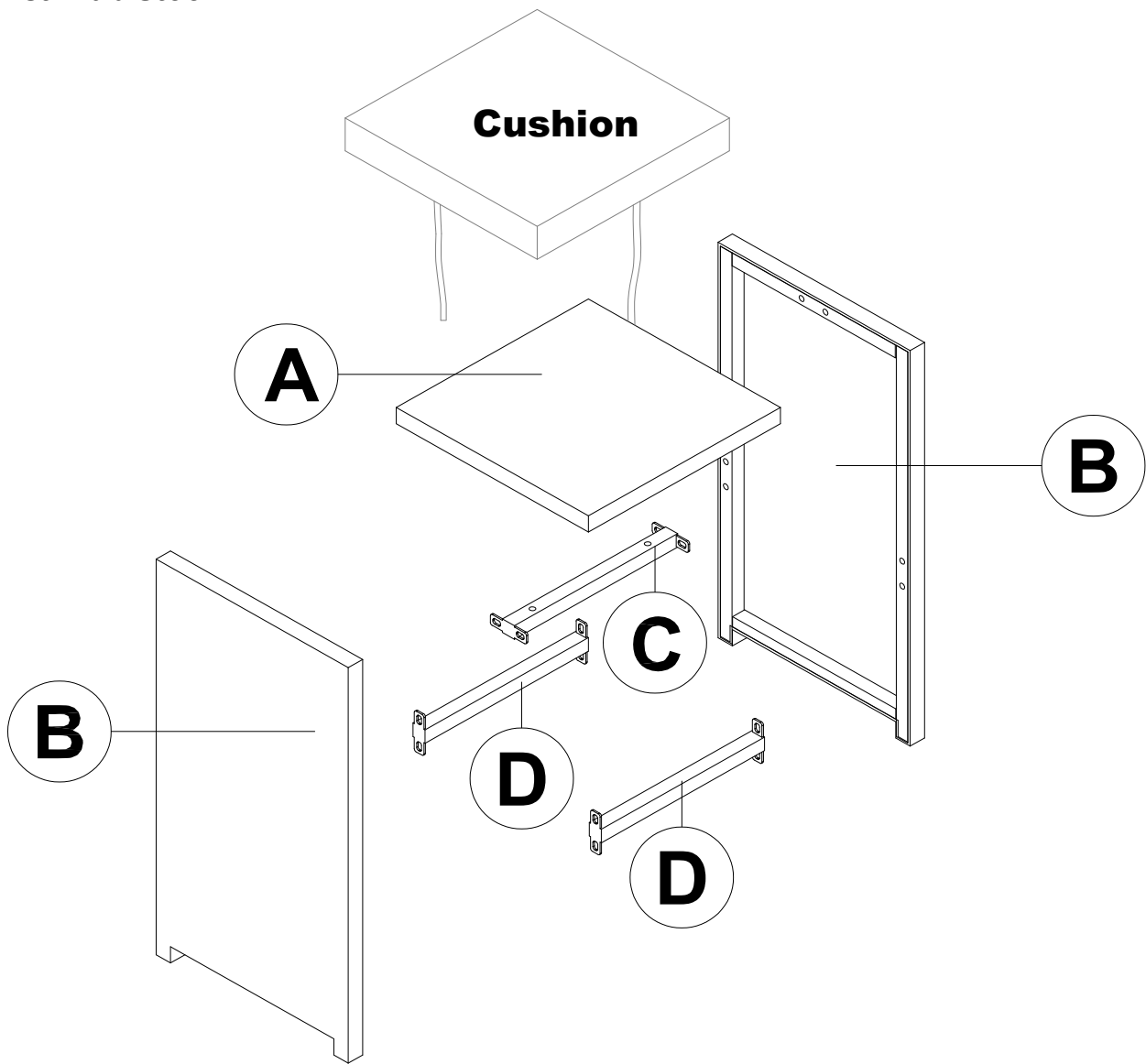


Tool Included

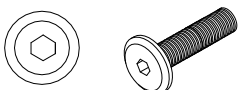



www.boltonfurniture.com

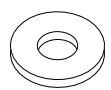
Part List- Pub Stool

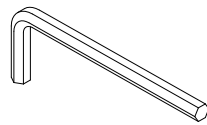


Identifying the hardware-Identify the hardware using the illustrations below.

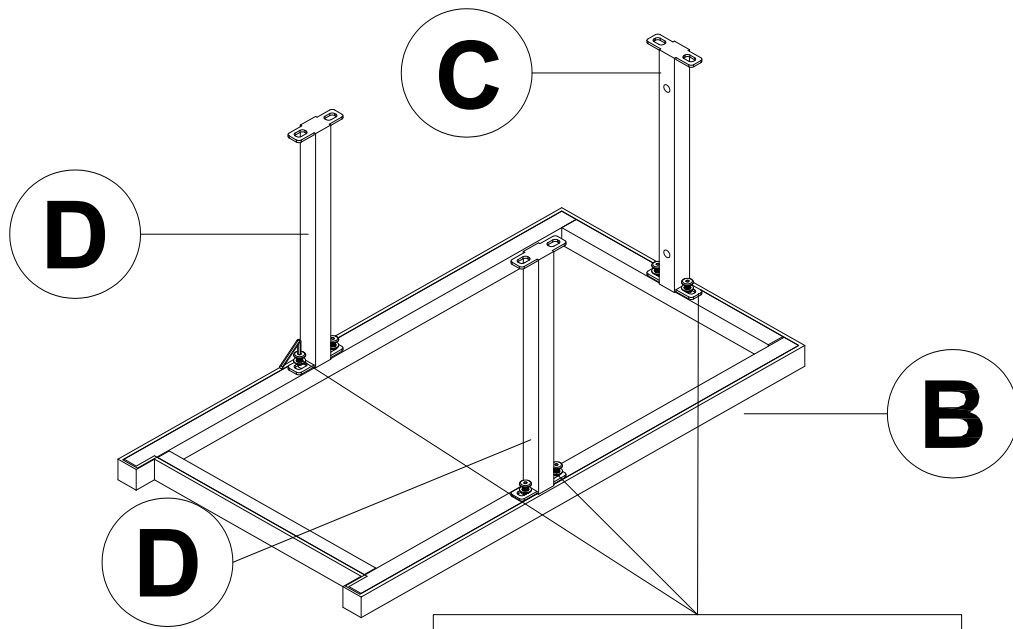
E  **02**
M8X40mm

F  **12**
M8X20mm


G  **14**

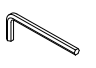
H  **01**

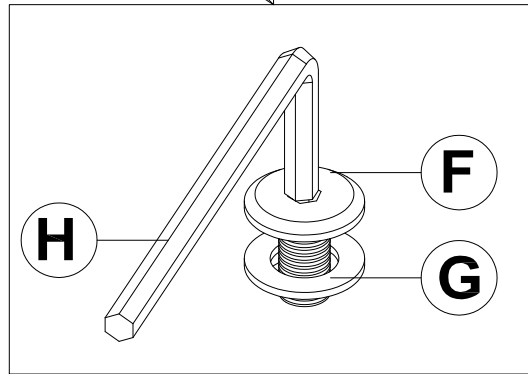
Step 1



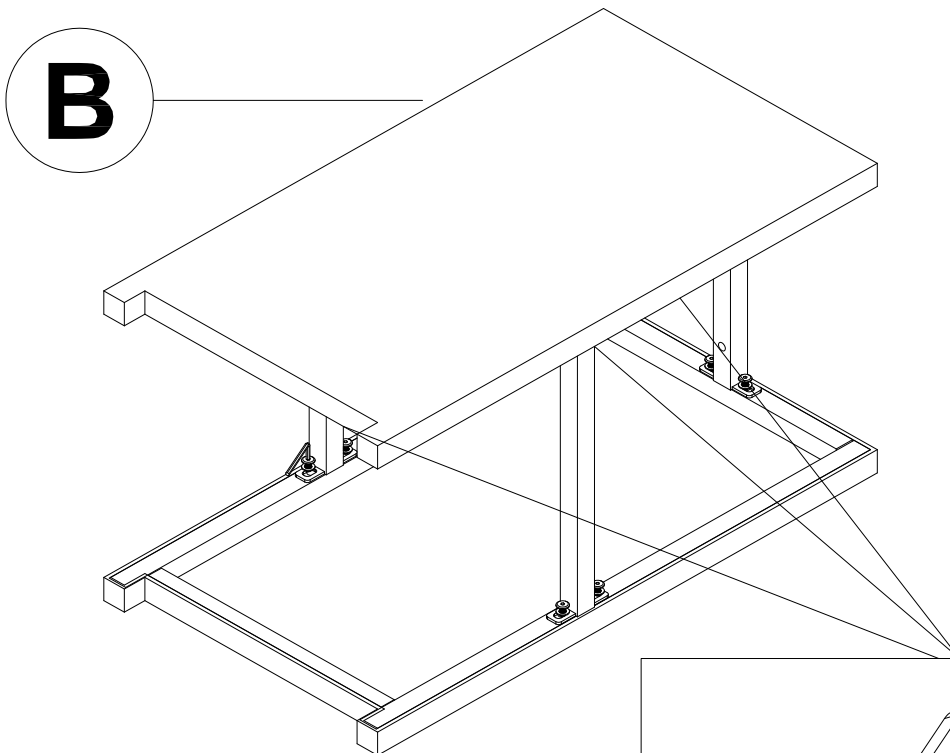
F  06
M8X20mm

G  06


H  01




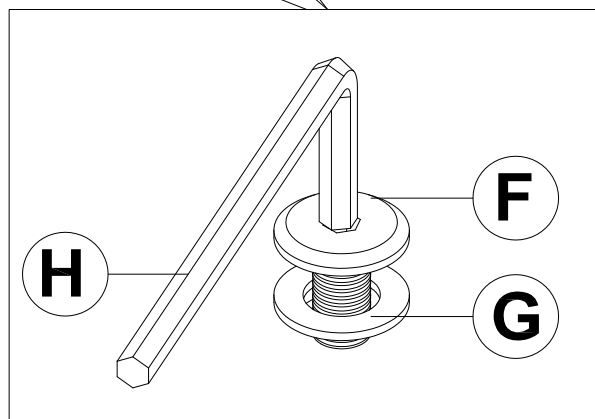
Step 2



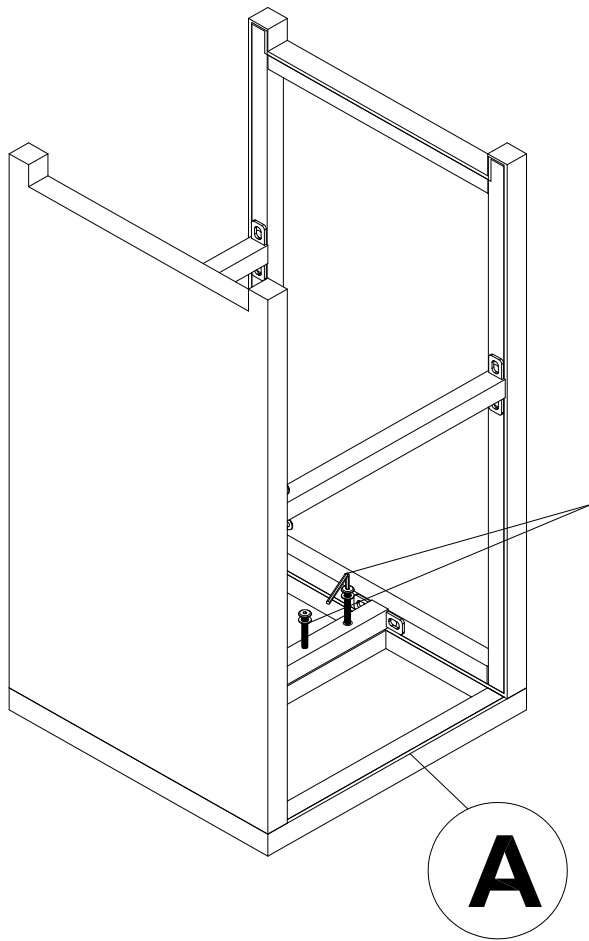
F  06
M8X20mm




G  06

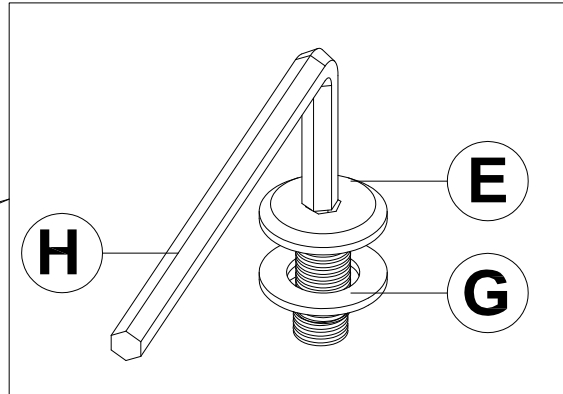
H  01



Step 3



| | | |
|---------|---|----|
| E |  | 02 |
| M8X40mm | | |
| G |  | 02 |
| H |  | 01 |



Step 4

